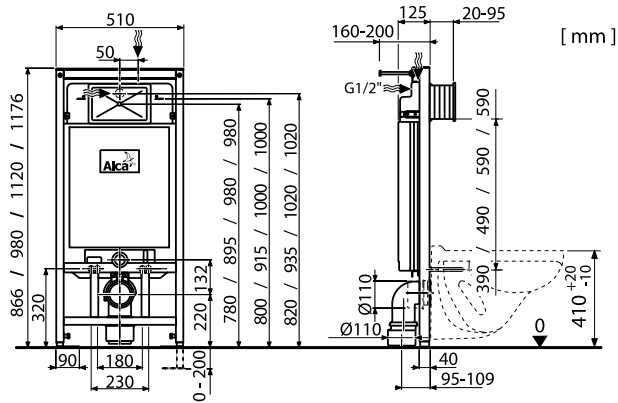
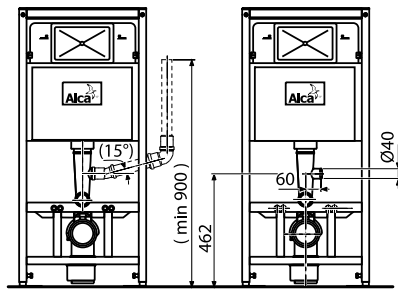




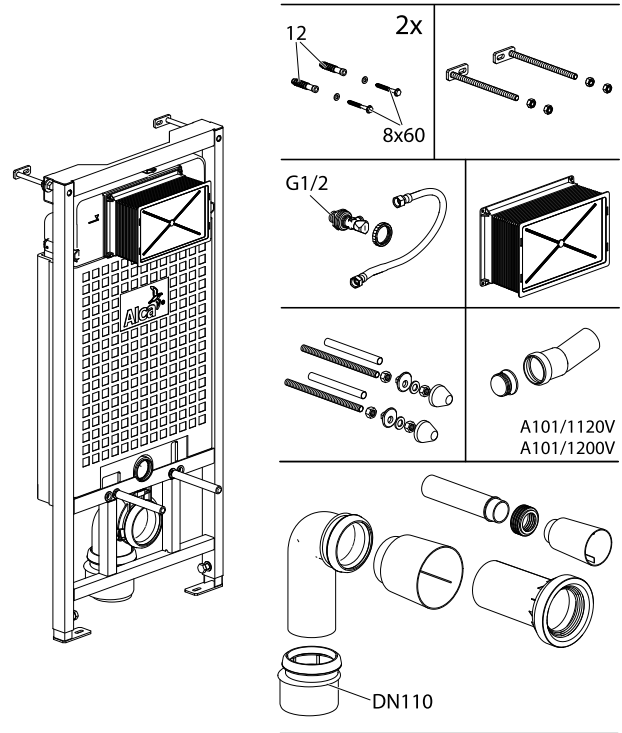
A101/850 ▣ A101/1000 ▣ A101/1120 ▣ A101/1200 A101/1120E ▣ A101/1120V ▣ A101/1200E ▣ A101/1200V



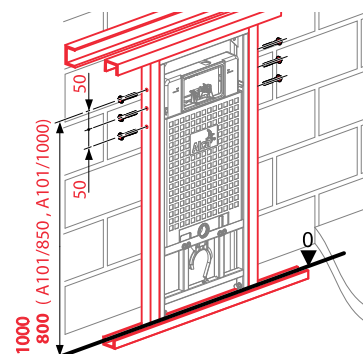
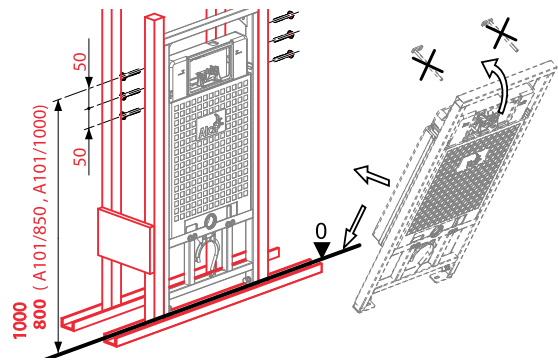
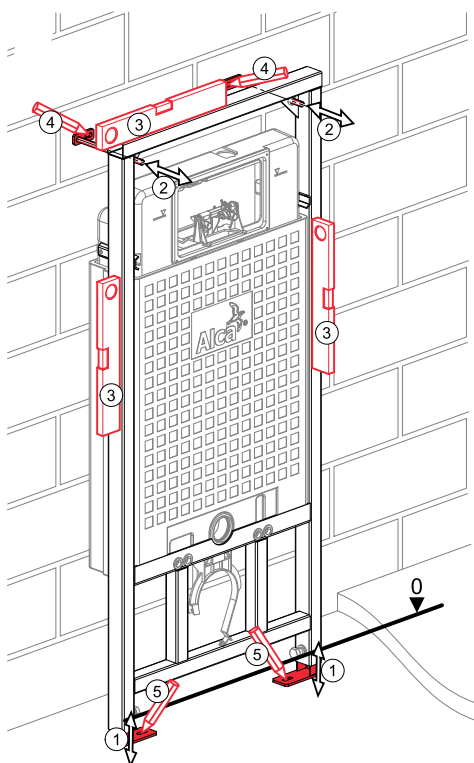
A101/850 / A101/1000 / A101/1120 / A101/1200
A101/1120E A101/1200E
A101/1120V A101/1200V



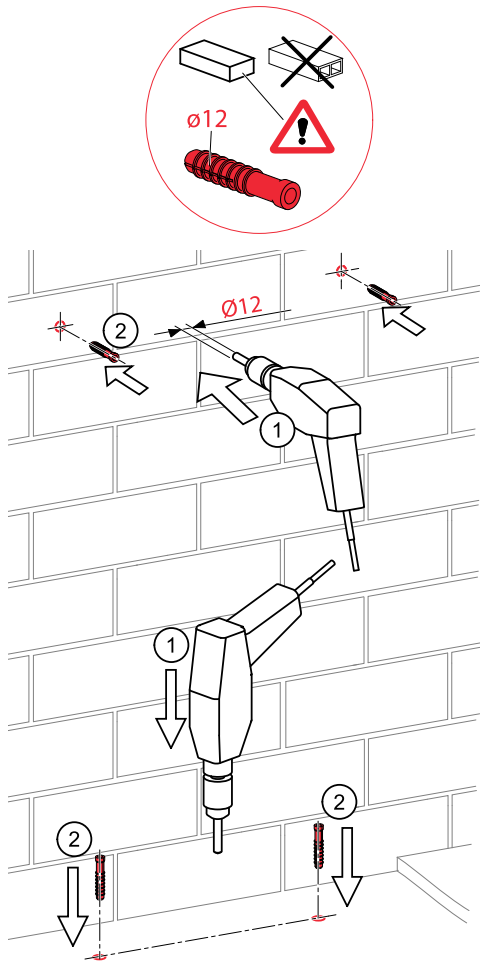
A101/1120V A101/1200V



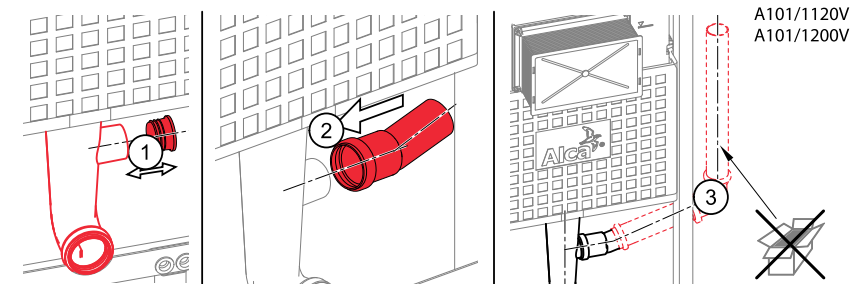
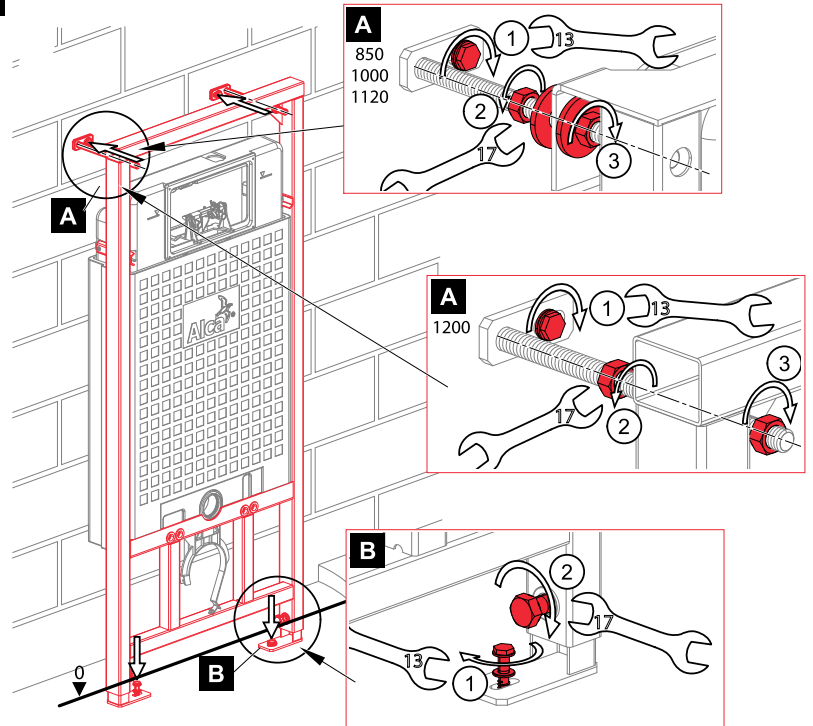
1



2

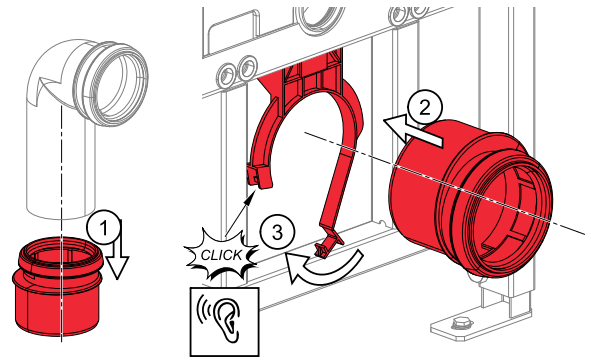
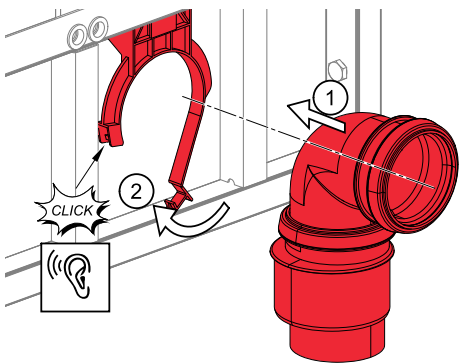


3

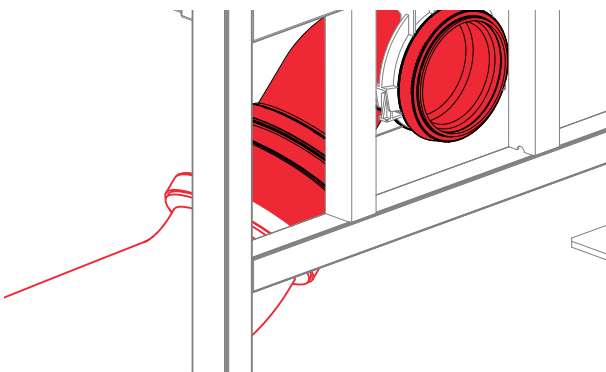


A101/1120V
A101/1200V

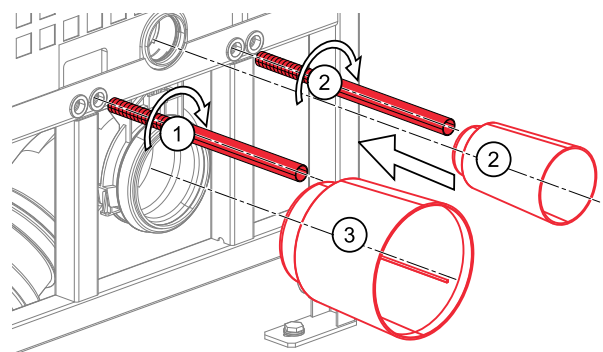
4

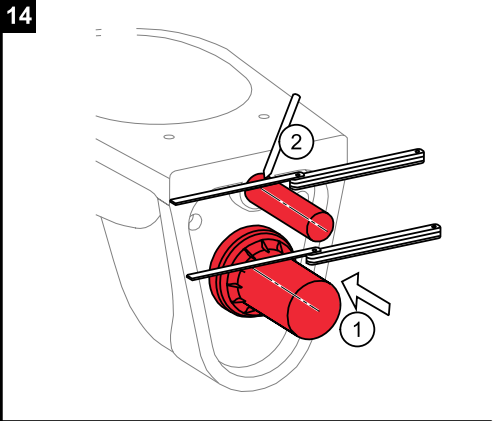
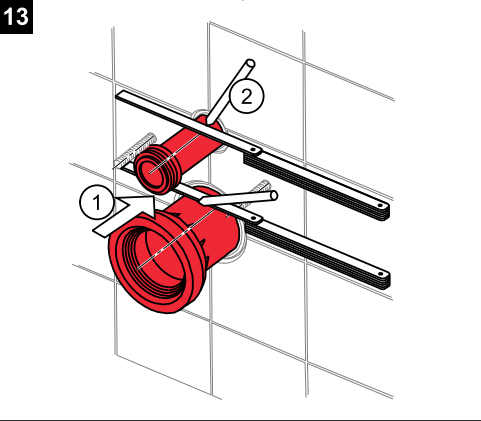
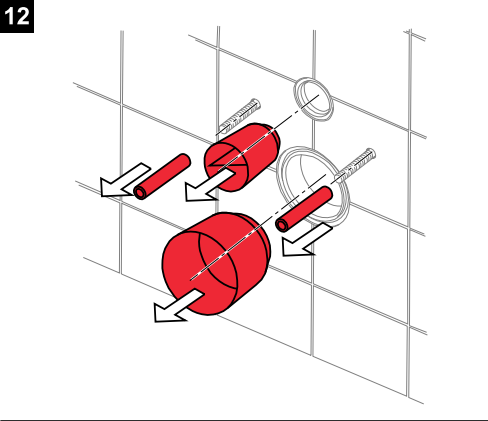
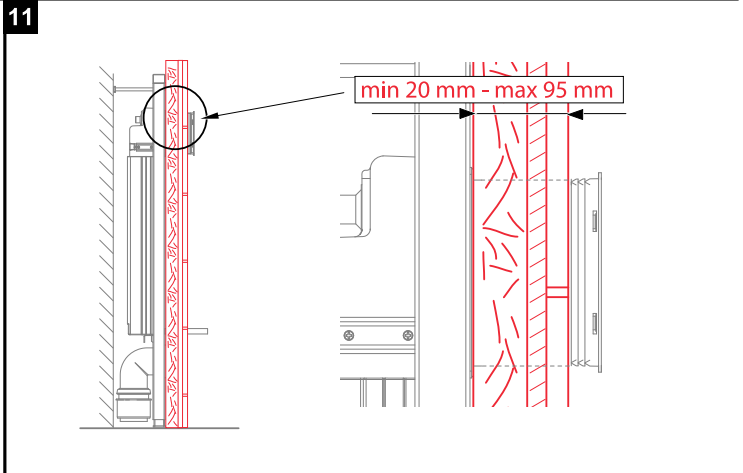
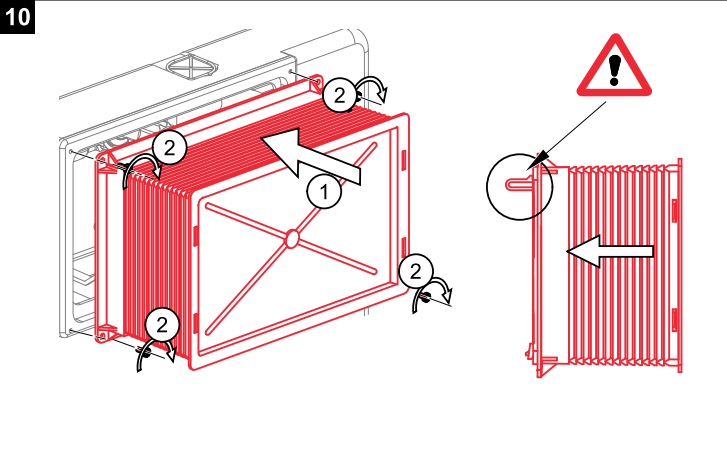
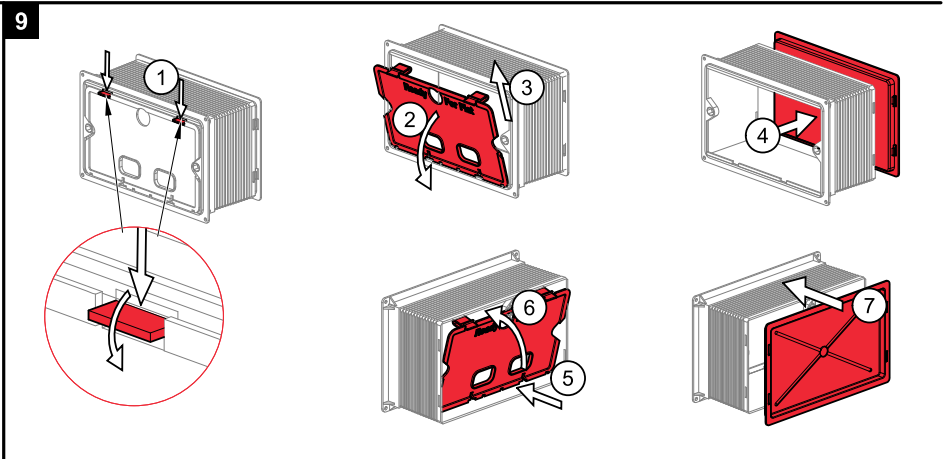
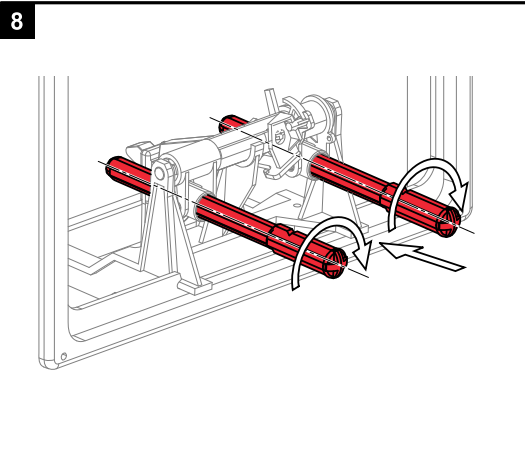
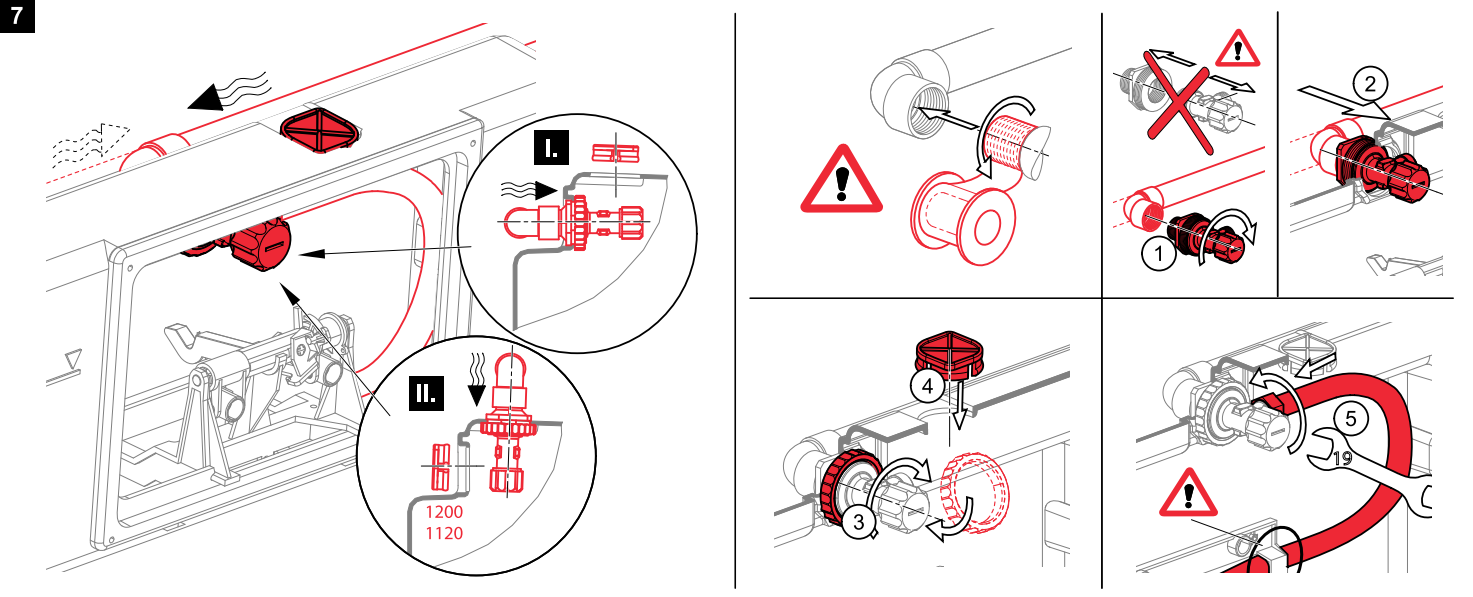


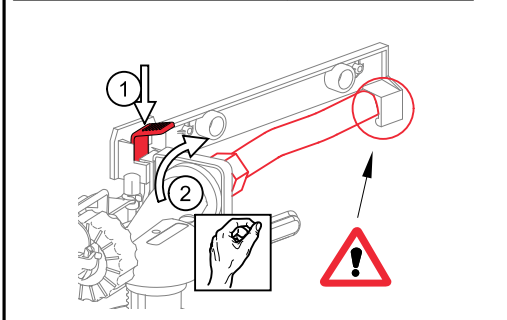
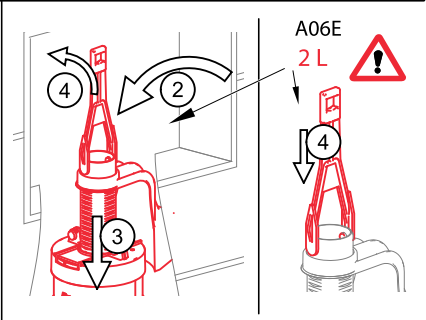
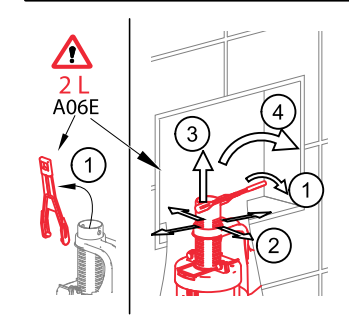
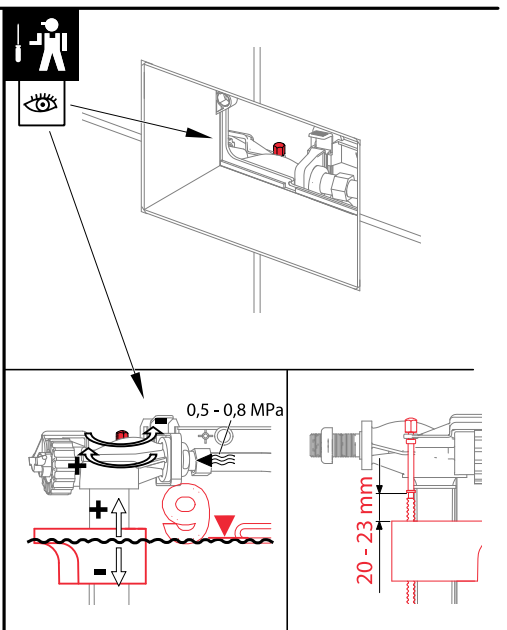
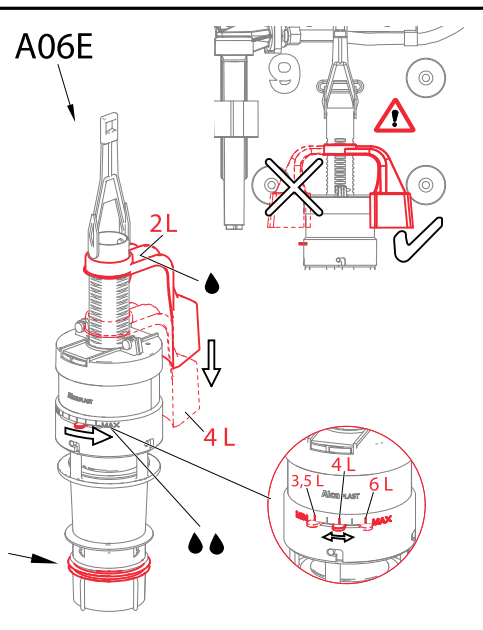
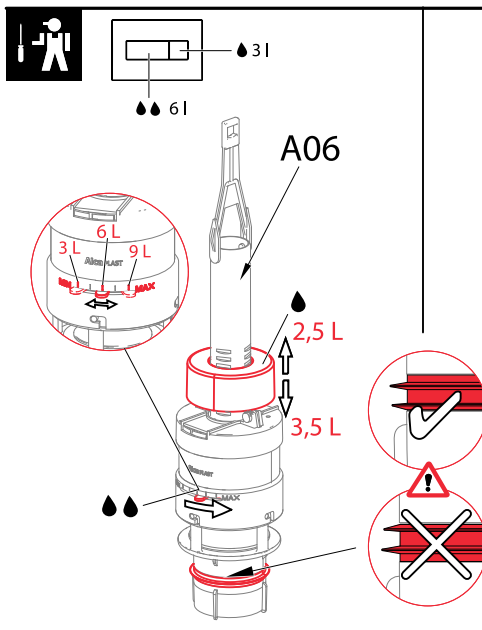
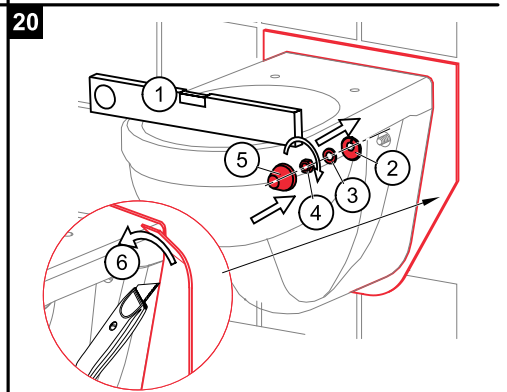
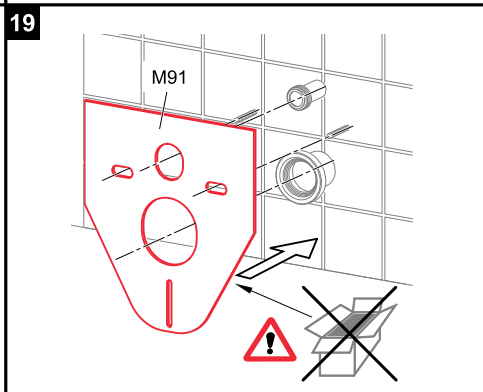
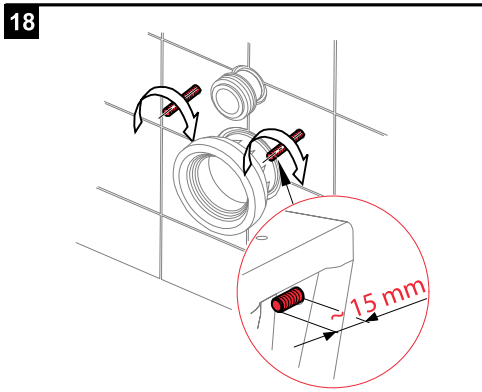
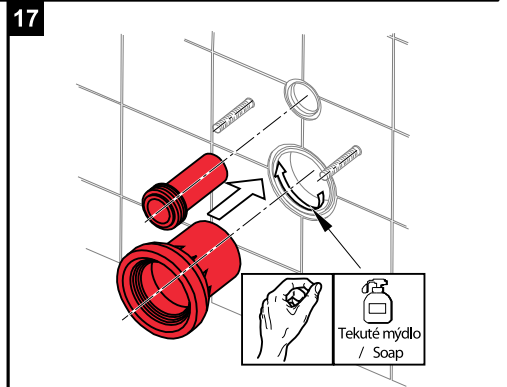
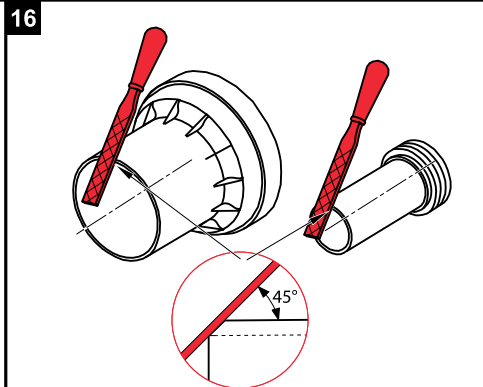
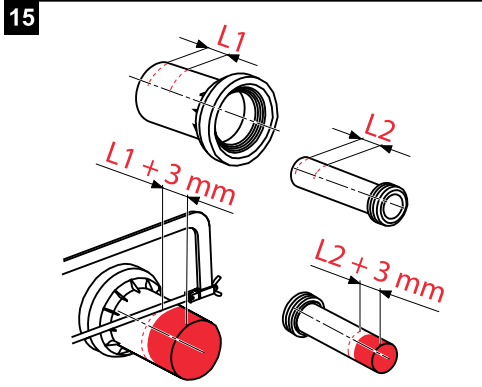
5



6







Alca plast, s. r. o.
 Bratislavská 2846, 690 02 Břeclav, Česká republika
 Tel.: +420 519 821 117 – prodej ČR
 Tel.: +420 519 821 041 – export, Fax: +420 519 821 083
 e-mail: alcaplast@alcaplast.cz, www.alcaplast.cz